

KRINNER

THE
TRIPOD

FOR EASY

LOAD TESTS

UP TO 50 KN



THE NEW KRINNER TRIPOD 50

Now available.

THE TRIPOD 50

IN DETAIL



Affordable test equipment

The tripod offers you a cheap alternative to execute load tests up to 50 kN in well known high KRINNER-quality.



Force transducer at your option

For executing your tensile tests you can use the force transducer of KRINNER or another customary force transducer with a suitable measuring range. Regarding to this the KRINNER tripod offers you a maximum of flexibility.



Suitable for all KRINNER GS-Series

We recommend to perform load tests for every project. Thereby you can use the tripod for all of our Ground Screws excluding the products of the V114- and V140-series.

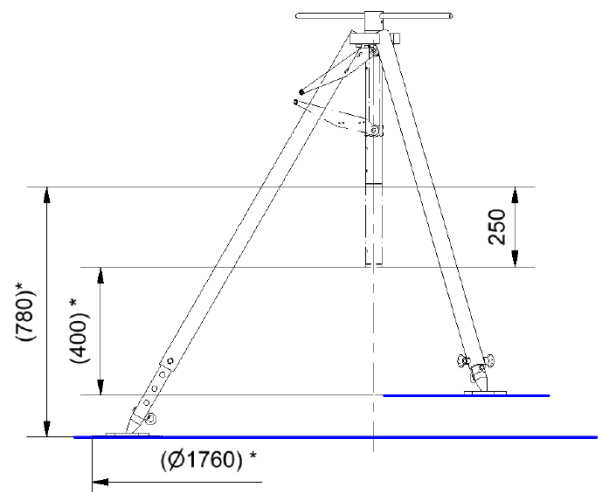


Easy and low weight

The tripod is convincing with its easy application and its low weight. You can transport it easily in your car's boot or as bulky luggage by plane.

Technical Data	
Spindle stroke	250 mm
Permissible maximum load	50 kN
Installation space for force transducer (approx.)	40 cm*
Tare weight (approx.)	24 kg

*Dimensions may vary situational.



KRINNER